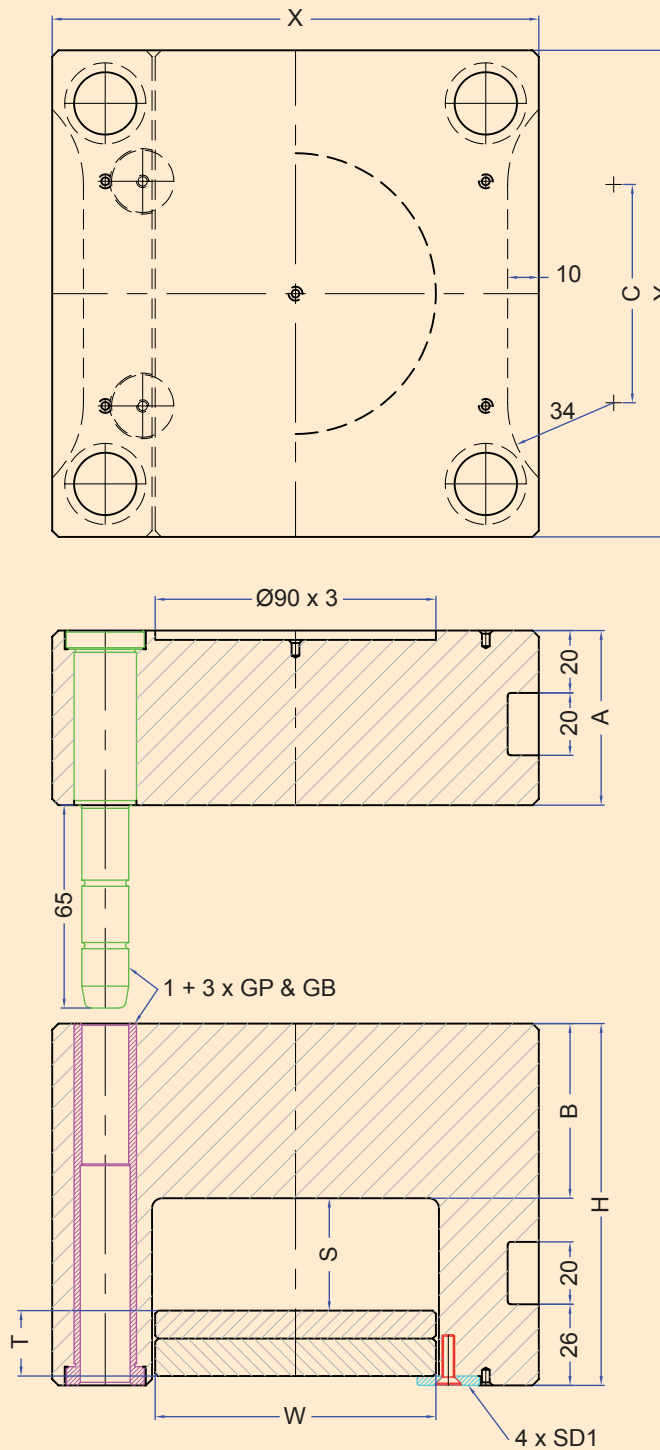


DMS - Diemould
Section 2 - Rapidbases

RB - Rapidbase
Material : FH = Alumec 79 / MH = Alumec 89





X	Y	C	A	B	H	S	T	W
156	156	70	56	56	116	36	9 / 12	90
	196	100						
196	196		150	76	66	136	39	12 / 16
	246	130						
246	246	180	76	66	136	39	12 / 16	158
	296							180

Typical Rapidbase construction consists of :

- ◆ Single piece fixed half plate supplied with location ring recess, clamp slots and guide pillars.
- ◆ Single piece moving half plate supplied with clamp slots, guide bushes and stop discs to retain the plain ejector set.
- ◆ Plain ejector set.

All items are bored on standard DMS centres.

The addition of further plates can be done by choosing the appropriate kit size.

The location ring recess is designed to suit all standard DMS location rings.

DMS Rapidbases are based on our standard kit sizes and are :

Interchangeable with standard DMS parts giving -

- ◆ Robust mould construction
- ◆ Choice of clamp plates
- ◆ Reusable components from prototype to production tool

Manufactured from toolmaking quality Aluminium which can be -

- ◆ Textured
- ◆ Polished
- ◆ Anodised (for even longer runs, and for use with glass filled materials).

Download CAD data at
www.dms-diemould.co.uk

enquiries to -
sales@dms-diemould.co.uk



TERMS AND CONDITIONS OF SALE

1) CUSTOMER CONDITIONS DO NOT APPLY.

All quotations are made and all orders are accepted subject to the following conditions. All other terms, conditions or warranties whatsoever are excluded from the contract or any variation thereof unless expressly accepted by a Director of the Supplier in writing.

2) DELIVERY.

Every effort will be made to keep delivery dates. Time for delivery is given as accurately as possible but it is not guaranteed nor is it the essence of the contract. The customer has no right to damages or to cancel the order for failure for any cause to meet any delivery time stated.

3) LIABILITY.

No liability can be accepted for loss caused through delay for reasons beyond our control or by an industrial dispute of any kind (whether involving our employees or not) or by any failure to obtain materials, goods or equipment from a supplier through no fault of our own in due time to observe delivery dates. The supplier's right is reserved to repudiate the contract and/or suspend delivery as long as any payment for goods previously invoiced is in arrears without liability for damage or consequential loss and without prejudice to the Suppliers right to recover all sums owing to it.

4) PRICES.

The prices quoted are subject to fluctuation without prior notice. Goods will be invoiced at prices ruling at the date of despatch notwithstanding any quotation or prior acceptance of order. All prices are unless otherwise stated net exclusive VAT and carriage charges. Post or Carriage and packing will be payable by the Customer in addition to the price of the goods.

5) EXPORT.

These goods are offered on the understanding that they will not be exported from the United Kingdom for resale.

6) PAYMENT.

Payment is due 30 days after the date of the invoice. No disputes arising under the contract nor delays beyond the reasonable control of the Supplier shall interfere with the prompt payment in full by the Customer.

7) INTEREST.

The Company reserves the right to charge interest at 2% per month on overdue accounts.

8) COLLECTION COSTS.

Should it be necessary for the Company to instruct a third party e.g. Solicitor or Collection Agency to collect any outstanding balance on behalf of the Company, then the following Administration Charges will be payable:

On outstanding balance up to £5,000 – 5% of the debt.

Outstanding balance over £5,000 – 3%.

These charges are in addition to any Court and Solicitors fees which may be payable.

9) MINIMUM ORDER VALUE. £15.00.

10) RETURN OF GOODS.

Goods must not be returned to us for credit without obtaining our authorisation in writing. A handling charge of 10% of the purchase price will be made and we reserve the right to charge the Customer additionally for all reasonable costs and expenses incurred by the Supplier in respect of returns.

11) PACKING.

Unless stated otherwise, the Customer shall be charged for packing cases, these being non-returnable. Packing shall provide adequate protection throughout normal conditions of transit of normal duration. Packing is not suitable for long-term storage. Special requirements for packing must be stated on the order and will be chargeable.

12) LAW.

The contract shall be governed and interpreted exclusively according to the law of England and shall be subject to the jurisdiction of the English courts only.

13) TITLE AND RISK.

Title to the goods shall only pass to the Customer when the Customer has paid to the Supplier all the sums due and payable by the Customer under the contract and all other prior agreements between the supplier and the Customer. If the Customer fails to pay such sums the Supplier shall be entitled to repossess the goods of which title has not passed to the Customer. The Customer hereby licenses the Supplier, its officers, employees and agents to enter the premises of the Customer for the purpose of either satisfying itself that the goods are kept separately from other goods or to repossess the goods. Until title of the goods has passed to the Customer pursuant to the terms hereof, it shall possess the goods as a bailee of the supplier on the terms of this contract. Risk shall pass to the Customer so that the Customer is responsible for all loss, damage or deterioration to the goods at the time the goods arrive at the place of delivery if the Supplier delivers the goods by its own transport or if the Supplier arranges transport of the goods. In all other circumstances risk shall pass to the Customer at the time the goods leave the premises of the Supplier.

14) CONSUMER PROTECTION ACT.

In circumstances where the Supplier supplies parts or products to the Customer for incorporation with, or use ancillary to, and composite products to be produced, manufactured, processed or supplied by Customers then:- The Customer shall forthwith on demand produce for inspection by the Supplier copies of all written instructions, information and warnings to be supplied by the Customer in relation to the said composite products, provided nevertheless that such inspection or right to inspect shall not in itself constitute acceptance or approval on the part of the Supplier of such instructions, information or warnings. The Customer shall indemnify, reimburse and compensate the Supplier for all losses and damages (including costs, expenses and charges for legal actions in which the Supplier may be involved) that the Supplier may incur in the event that any claim or claims are made against the Company pursuant to the Act relating to the said composite products of the Customer or products in circumstances of which part of the product supplied by the supplier was either (i) not the defective part of the said composite product or (ii) was only rendered the defective part or became a defective product by reason of instructions or warnings given by the Customer or other supplier of the said composite product or products. For the purpose of this condition the word "defective" shall be interpreted in accordance with the definition contained in the Act.

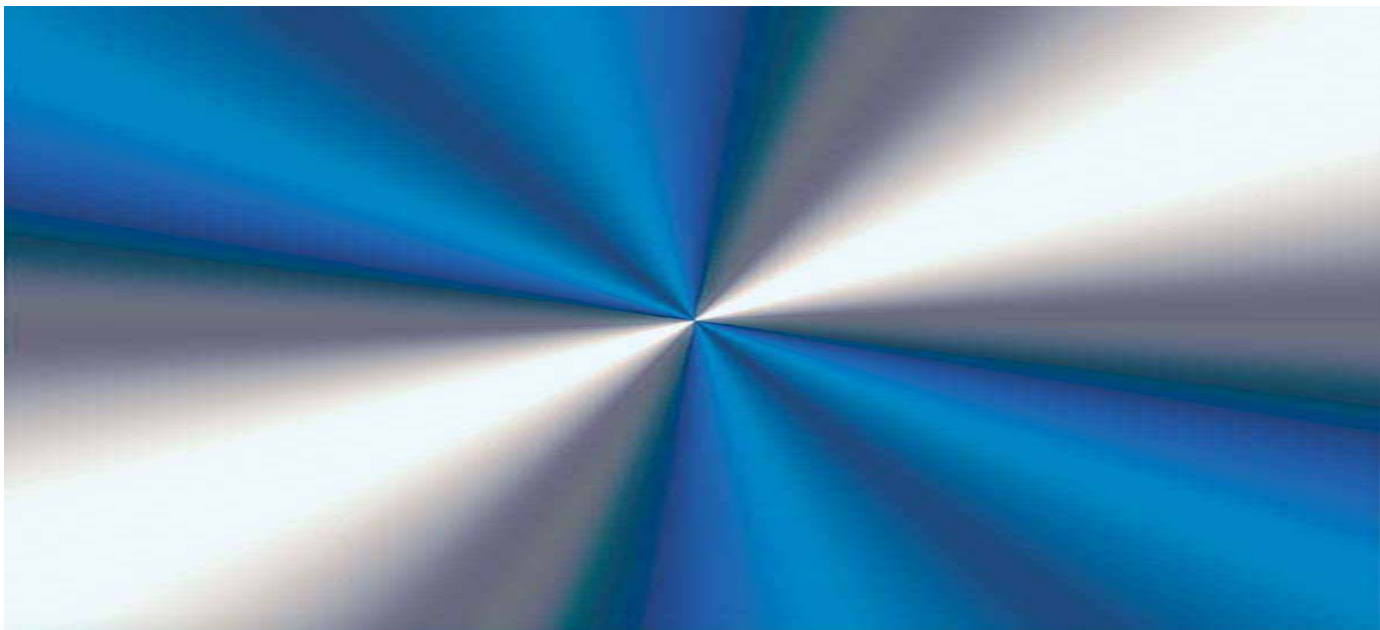
15) INDEMNITY FOR PERSONAL INJURY.

Save where the Supplier is shown to have failed to exercise reasonable care in the manufacture and/or supply of the goods and such failure results in the death or personal injury the Supplier shall not be liable in respect of claims arising by reason of death or personal injury. Further, under no circumstances whatsoever shall the Supplier be liable for consequential loss (including the removal or rectification work required in connection with the installation of repaired or substituted goods), loss of profits, damage to property, waste, expenditure or cost of mitigation.

16) HEALTH & SAFETY AT WORK.

Whilst every reasonable care is taken to ensure that our products are safe, you are requested to pay particular attention to applying the proper health and safety precautions in the use of our products.

Our complete list of Terms and Conditions are listed at www.dms-diemould.co.uk.



DMS-Diemould

4A Anglo Office Park
Lincoln Road
High Wycombe
Buckinghamshire
England
HP12 3RH

Tel : + 44 (0) 1494 523811
Fax : + 44 (0) 1494 452898
Web : www.dms-diemould.co.uk
e-mail : sales@dms-diemould.co.uk