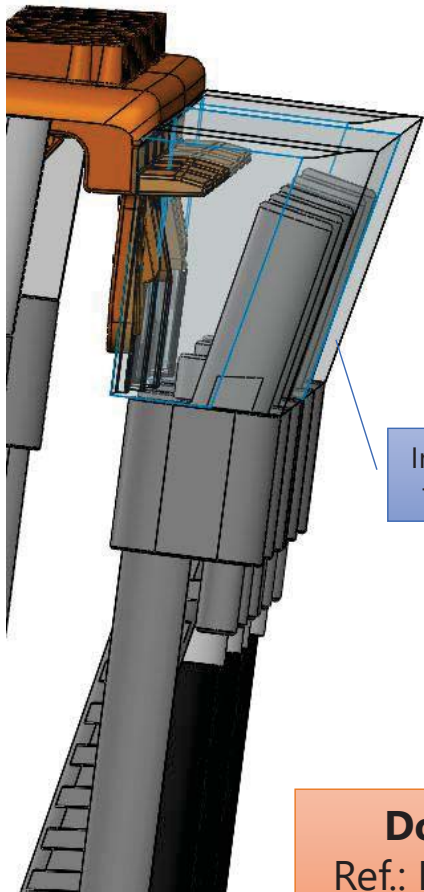


**CUMSA**  
Double Rack Lifter

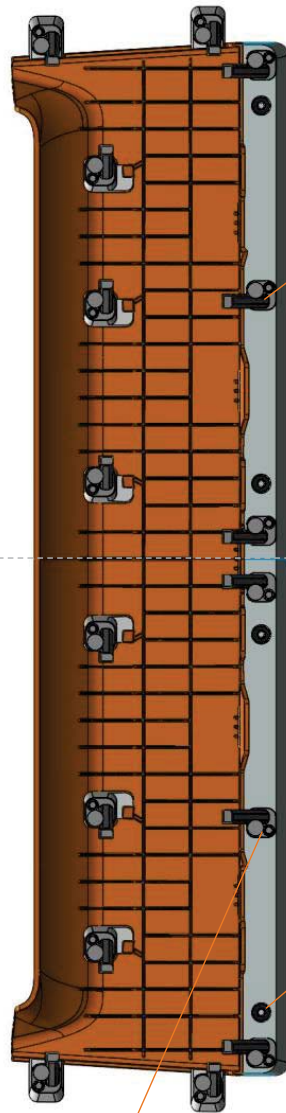


A

- 79mm STROKE
- 17mm UNDERCUT
- 0° draft angle



Insert made by the customer



**Double Rack Lifter**  
Ref.: DR.22100L-12/+5°

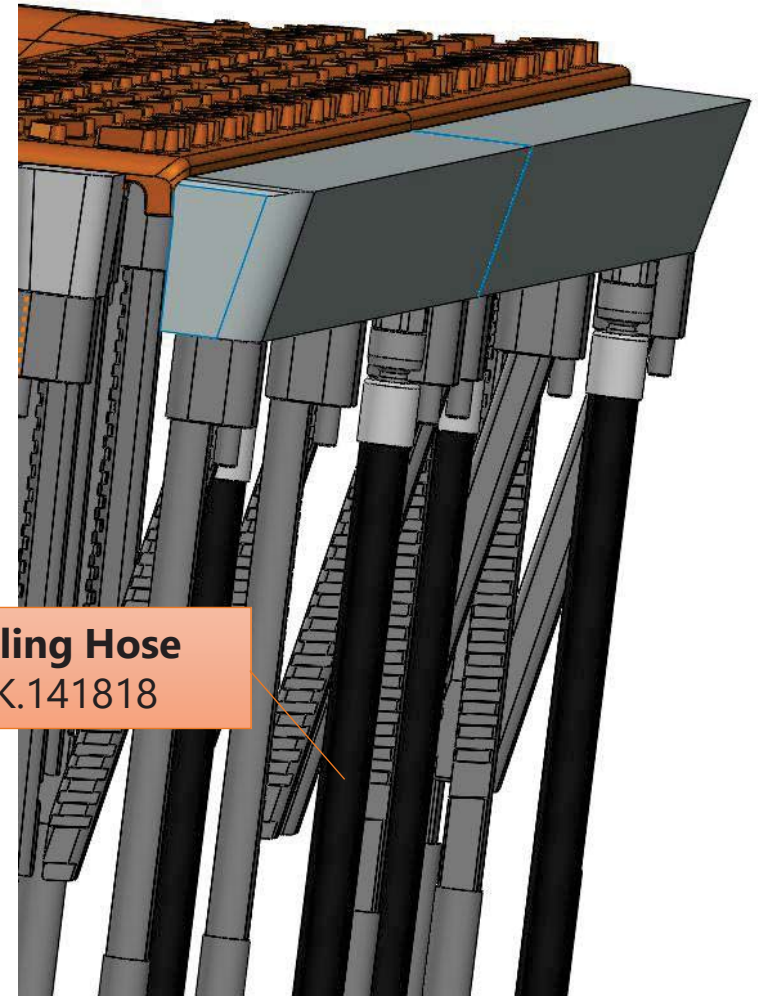
x3

**Double Rack Lifter**  
Ref.: DR.22100L-12-S/+5°

x3

**DR Cooling Hose**  
Ref.: DK.141818

x4





B

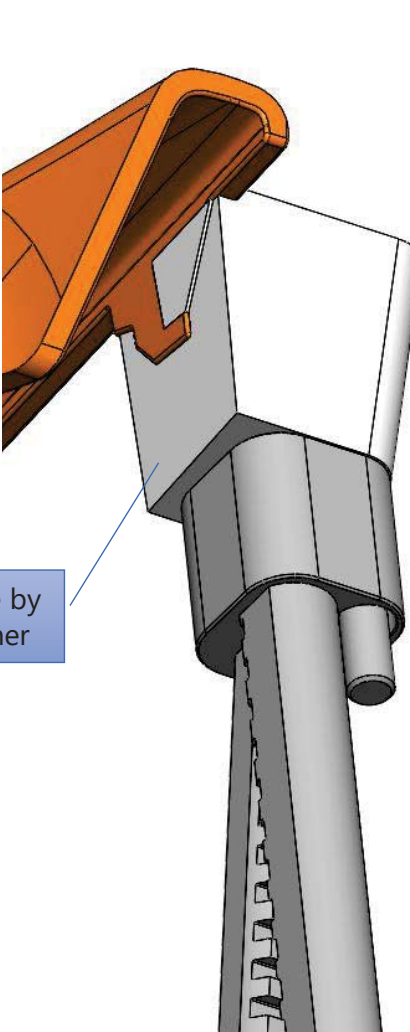
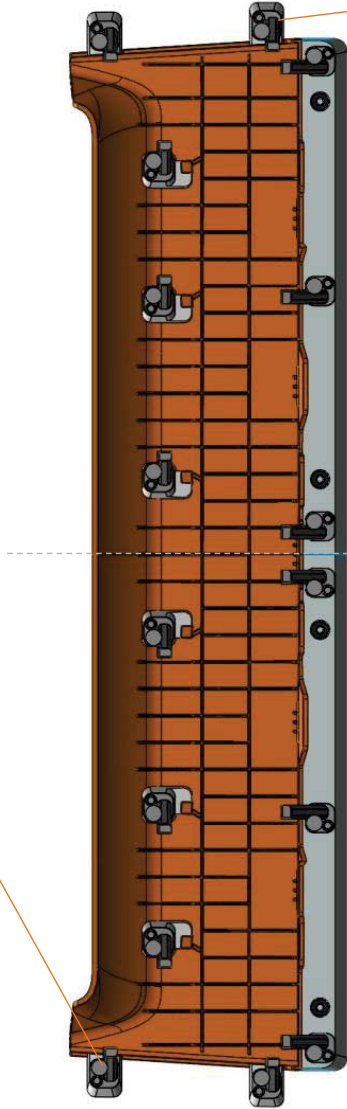
**Double Rack Lifter**  
Ref.: DR.22100L-8/0°

x2

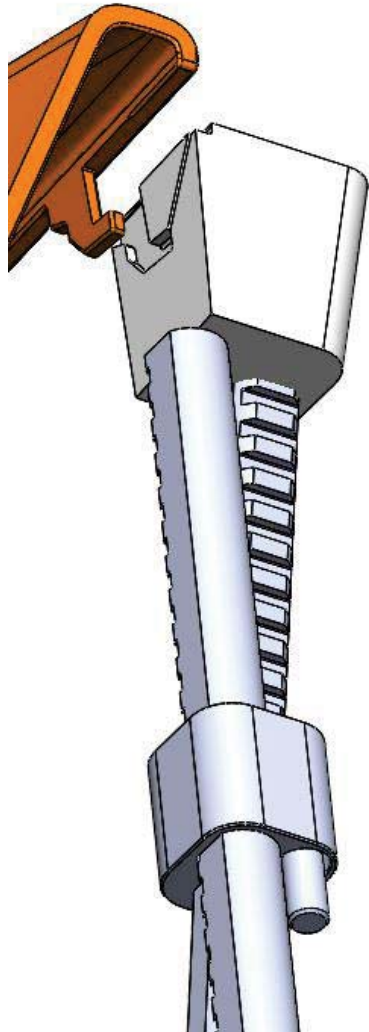
- 79mm STROKE
- 11mm UNDERCUT
- 0° draft angle

**Double Rack Lifter**  
Ref.: DR.22100L-8-S/0°

x2



Insert made by the customer





C

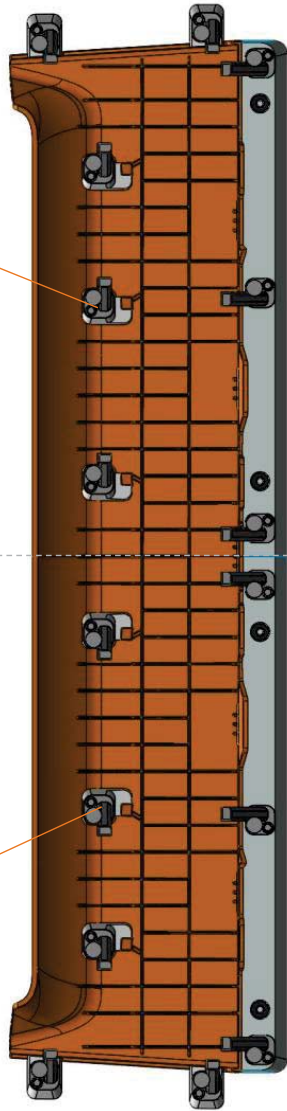
**Double Rack Lifter**  
 Ref.: DR.22100L-8-S/0°

x3

- 79mm STROKE
- 11mm UNDERCUT
- 0° draft angle

**Double Rack Lifter**  
 Ref.: DR.22100L-8/0°

x3



Insert made by  
 the customer

