

Double Rack Lifter

by **CUMSA**

Technical analysis.

CUMSA

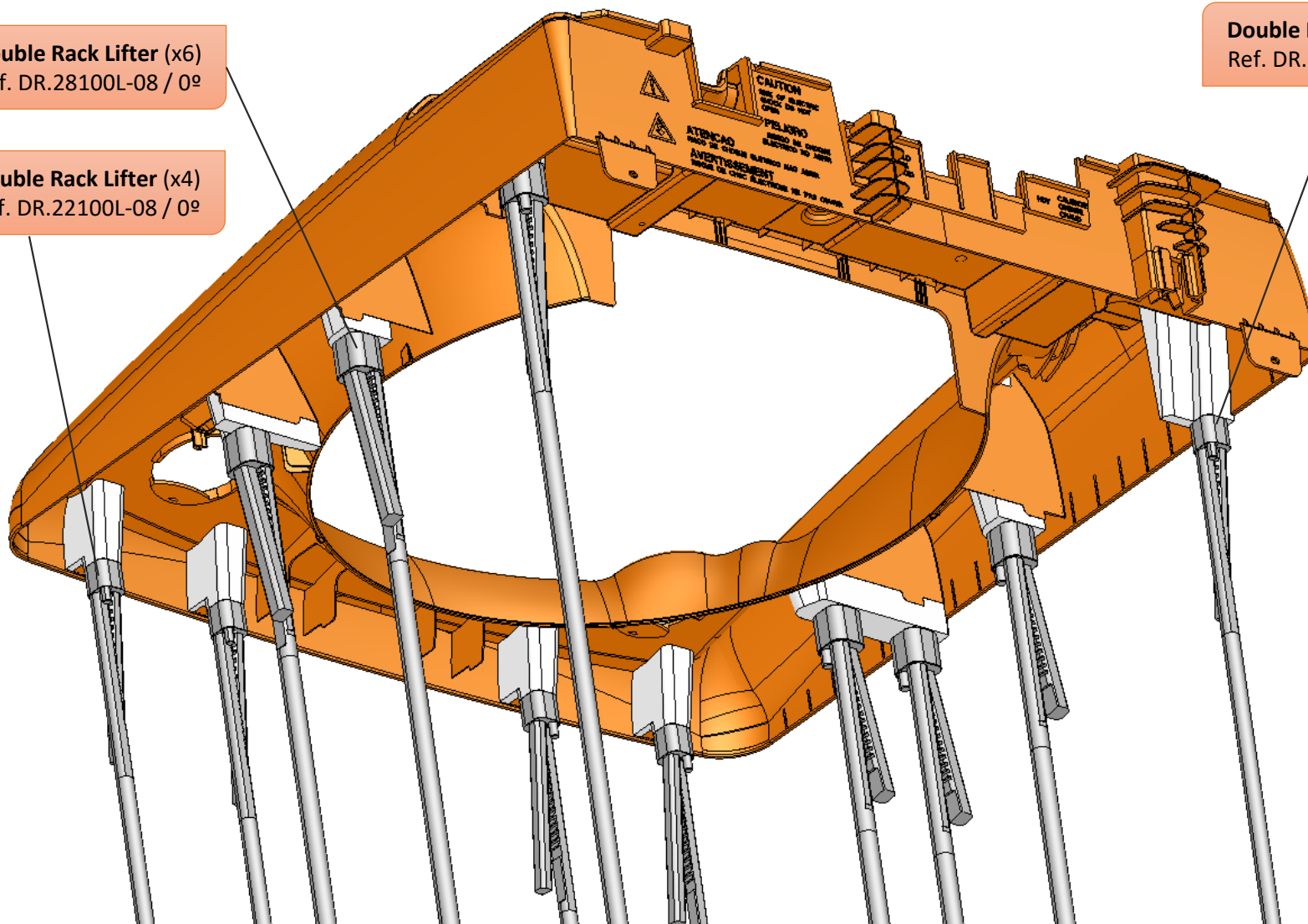
INNOVATIVE SOLUTIONS
FOR YOUR MOLDS

www.cumsa.com

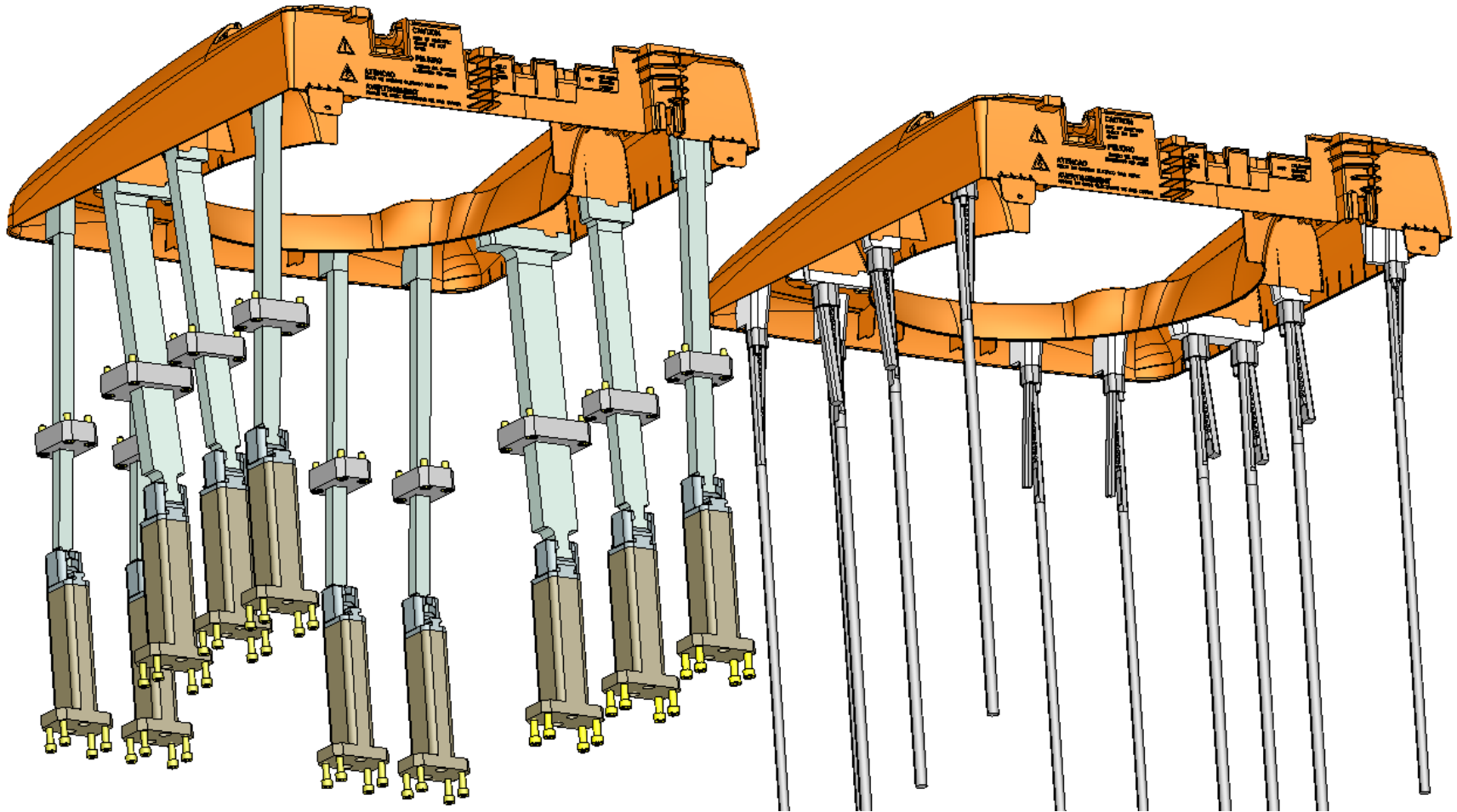
Double Rack Lifter (x6)
Ref. DR.28100L-08 / 0°

Double Rack Lifter (x4)
Ref. DR.22100L-08 / 0°

Double Rack Lifter (x1)
Ref. DR.22100L-08 / 0°



Comparative study.



Conventional System

CUMSA
Double Rack Lifters

Mold core side.



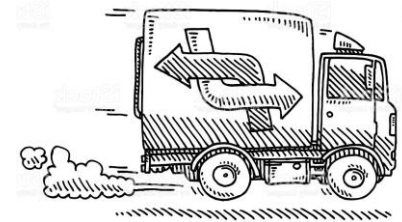
Mold tryout. Video.

CUMSA
INNOVATIVE SOLUTIONS
FOR YOUR MOLDS

www.cumsa.com



Plastic part.



CUMSA

INNOVATIVE SOLUTIONS
FOR YOUR MOLDS

Juan Ramón Jiménez, 8
08960 - Sant Just Desvern
Barcelona – Spain

Tel: +34 93 473 2552

Fax: +34 93 473 4919

e-mail: info@cumsa.com

www.cumsa.com